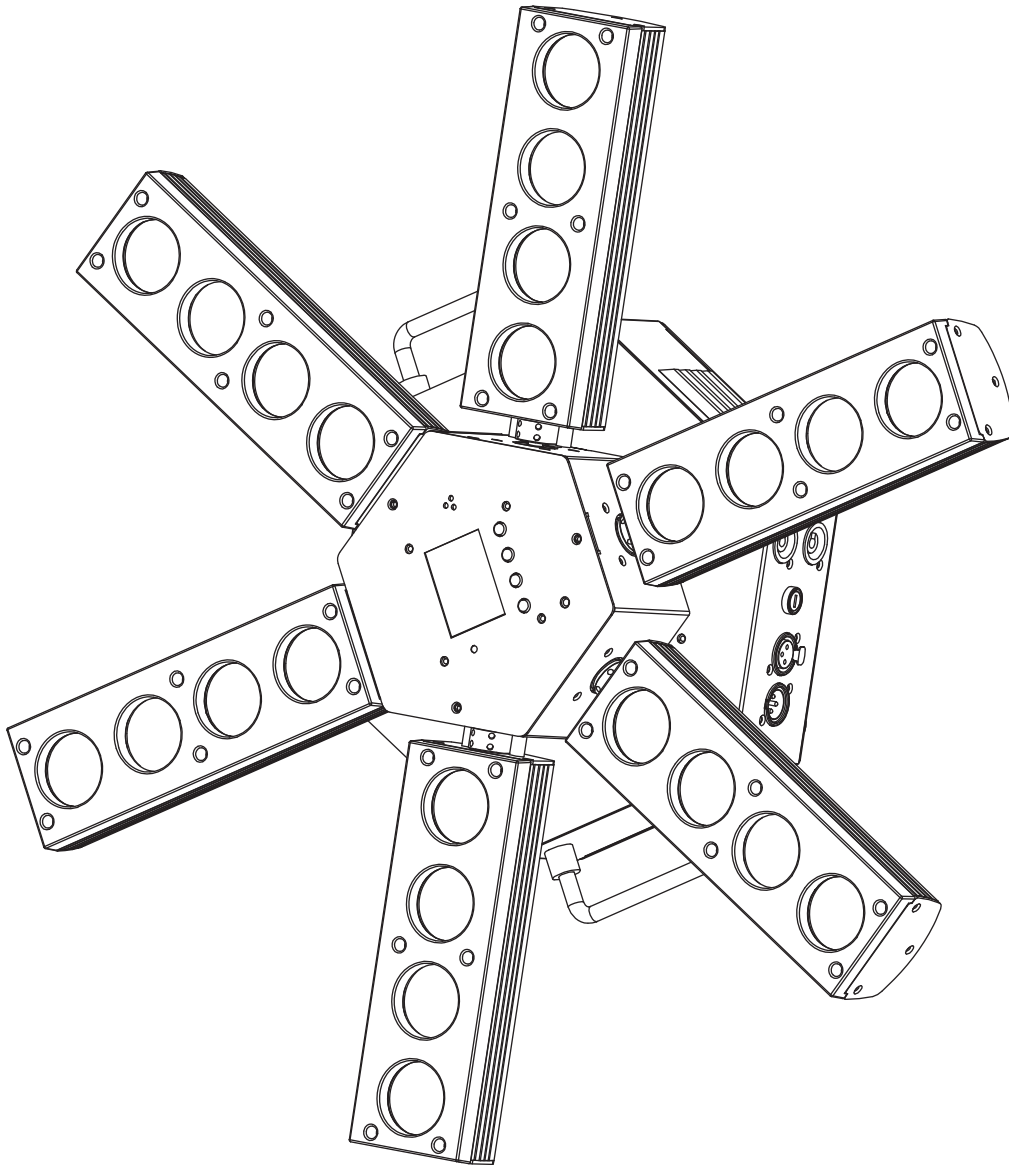




# STARSHIP



## *User Instructions*

©2020 ADJ Products, LLC all rights reserved. Information, specifications, diagrams, images, and instructions herein are subject to change without notice. ADJ Products, LLC logo and identifying product names and numbers herein are trademarks of ADJ Products, LLC. Copyright protection claimed includes all forms and matters of copyrightable materials and information now allowed by statutory or judicial law or hereinafter granted. Product names used in this document may be trademarks or registered trademarks of their respective companies and are hereby acknowledged. All non-ADJ Products, LLC brands and product names are trademarks or registered trademarks of their respective companies.

**ADJ Products, LLC** and all affiliated companies hereby disclaim any and all liabilities for property, equipment, building, and electrical damages, injuries to any persons, and direct or indirect economic loss associated with the use or reliance of any information contained within this document, and/or as a result of the improper, unsafe, insufficient and negligent assembly, installation, rigging, and operation of this product.

**FCC STATEMENT**

This device complies with Part 15 of the FCC Rules. Operation is subject to the following two conditions: (1) this device may not cause harmful interference, and (2) this device must accept any interference received, including interference that may cause undesired operation.

**FCC RADIO FREQUENCY INTERFERENCE WARNINGS & INSTRUCTIONS**

This product has been tested and found to comply with the limits as per Part 15 of the FCC Rules. These limits are designed to provide reasonable protection against harmful interference in a residential installation. This device uses and can radiate radio frequency energy and, if not installed and used in accordance with the included instructions, may cause harmful interference to radio communications. However, there is no guarantee that interference will not occur in a particular installation. If this device does cause harmful interference to radio or television reception, which can be determined by turning the device off and on, the user is encouraged to try to correct the interference by one or more of the following methods:

- Reorient or relocate the device.
- Increase the separation between the device and the receiver.
- Connect the device to an electrical outlet on a circuit different from which the radio receiver is connected.
- Consult the dealer or an experienced radio/TV technician for help.

**DOCUMENT VERSION**



Due to additional product features and/or enhancements, an updated version of this document may be available online. Please check [www.adj.com](http://www.adj.com) for the latest revision/update of this manual before beginning installation and/or programming.

Date	Document Version	Software Version >	DMX Channel Mode	Notes
08/02/19	1	1.1	22/120	Initial Version
09/15/20	2	1.5	N/C	Updated Specs.

Europe Energy Saving Notice

Energy Saving Matters (EuP 2009/125/EC)

Saving electric energy is a key to help protecting the environment. Please turn off all electrical products when they are not in use. To avoid power consumption in idle mode, disconnect all electrical equipment from power when not in use. Thank you!

<b>Introduction</b>	<b>4</b>
<b>Features   Warranty Registration</b>	<b>5</b>
<b>Safety Guidelines</b>	<b>6</b>
<b>Overview</b>	<b>7</b>
<b>Installation</b>	<b>9</b>
<b>DMX Set Up</b>	<b>10</b>
<b>DMX Addressing</b>	<b>12</b>
<b>DMX Channel Modes</b>	<b>13</b>
<b>System Menu</b>	<b>20</b>
<b>Auto Mode   Primary-Secondary Configuration</b>	<b>25</b>
<b>Pixel Zone Layout</b>	<b>26</b>
<b>Dimmer Curve Chart</b>	<b>27</b>
<b>Dimensional Drawings</b>	<b>28</b>
<b>Power Linking   Fuse Replacement   Trouble Shooting   Cleaning</b>	<b>29</b>
<b>Limited Warranty (USA Only)</b>	<b>30</b>
<b>Specifications</b>	<b>31</b>

**Unpacking:** Thank you for purchasing the Starship by ADJ Products, LLC. Every Starship has been thoroughly tested and has been shipped in perfect operating condition. Carefully check the shipping carton for damage that may have occurred during shipping. If the carton appears to be damaged, carefully inspect your fixture for any damage and be sure all accessories necessary to operate the unit has arrived intact. In the case damage has been found or parts are missing, please contact our toll free customer support number for further instructions. Do not return this unit to your dealer without first contacting customer support.

**Introduction:** The ADJ Starship is a DMX intelligent, centerpiece effect light. To optimize the performance of this product, please read these operating instructions carefully to familiarize yourself with the basic operations of this unit. **This product is intended to be used by professionally trained personnel only and is not suitable for private use.**

These instructions contain important safety information regarding the use and maintenance of this unit. Please keep this manual with the unit, for future reference.

**Customer Support:** Contact ADJ Service for any product related service and support needs. Also visit [forums.adj.com](http://forums.adj.com) with questions, comments or suggestions.

**Parts:** To purchase parts online visit <http://parts.americandj.com> (US) <https://www.adjparts.eu> (EU)

**ADJ SERVICE USA - Monday - Friday 8:00am to 4:30pm PST**

**Voice: 800-322-6337 | Fax: 323-832-2941 | [support@adj.com](mailto:support@adj.com)**

**ADJ SERVICE EUROPE - Monday - Friday 08:30 to 17:00 CET**

**Voice: +31 45 546 85 60 | Fax: +31 45 546 85 96 [support@adj.eu](mailto:support@adj.eu)**

### **ADJ PRODUCTS LLC USA**

6122 S. Eastern Ave. Los Angeles, CA. 90040

323-582-2650 | Fax 323-532-2941 | [www.adj.com](http://www.adj.com) | [info@adj.com](mailto:info@adj.com)

### **ADJ SUPPLY Europe B.V**

Junostraat 2 6468 EW Kerkrade, The Netherlands +31 (0)45 546 85 00 | Fax +31 45 546 85 99

[www.adj.eu](http://www.adj.eu) | [info@adj.eu](mailto:info@adj.eu)

### **ADJ PRODUCTS GROUP Mexico**

AV Santa Ana 30 Parque Industrial Lerma, Lerma, Mexico 52000 +52 (728) 282-7070

**Caution!** There are no user serviceable parts inside this unit. Do not attempt any repairs yourself, doing so will void your manufactures warranty. In the unlikely event your unit may require service please contact ADJ Products, LLC.

**PLEASE recycle the shipping carton whenever possible.**

## Starship

## Features

- Multi-Colors
- Multiple Operating Modes
- Electronic Dimming 0-100%
- Built in Microphone
- DMX-512 protocol
- 3-Pin DMX Connection
- 2 DMX Modes: 22 Channel Mode and 120 Channel Mode
- Multiple Unit Power Linking (See page 28)

Included:

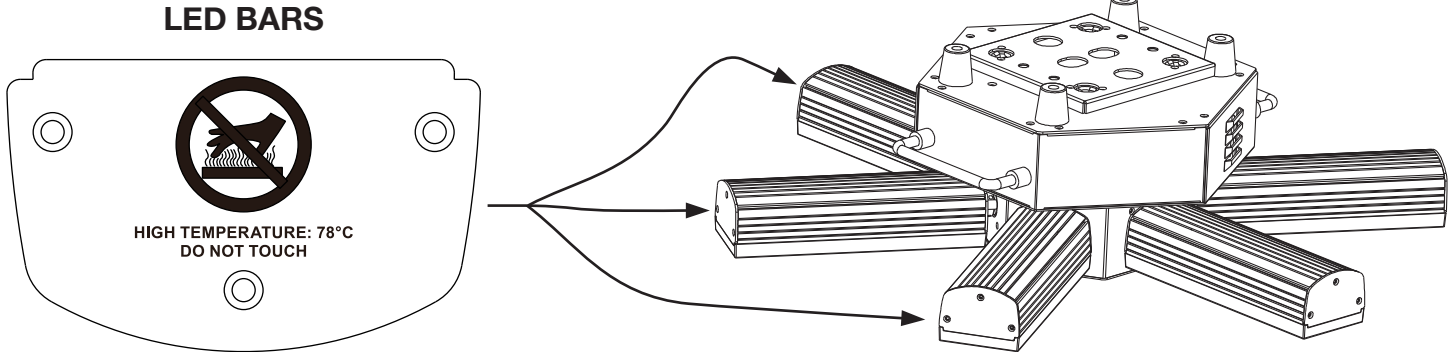
- 1 x Twist Lock Power Cable
- 2 x Omega Brackets

## Starship

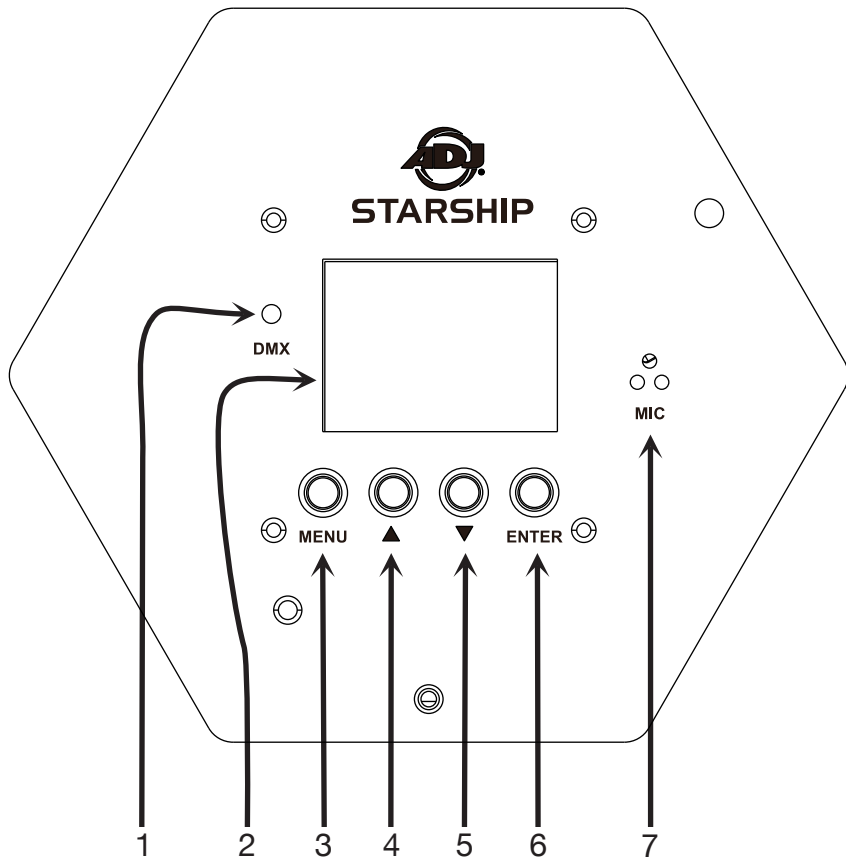
## Warranty Registration

The Starship carries a 2 year limited warranty. Please fill out the enclosed warranty card to validate your purchase. All returned service items whether under warranty or not, must be freight pre-paid and accompany a return authorization (R.A.) number. The R.A. number must be clearly written on the outside of the return package. A brief description of the problem as well as the R.A. number must also be written down on a piece of paper included in the shipping carton. If the unit is under warranty, you must provide a copy of your proof of purchase invoice. You may obtain a R.A. number by contacting our customer support team on our customer support number. All packages returned to the service department not displaying a R.A. number on the outside of the package will be returned to the shipper.

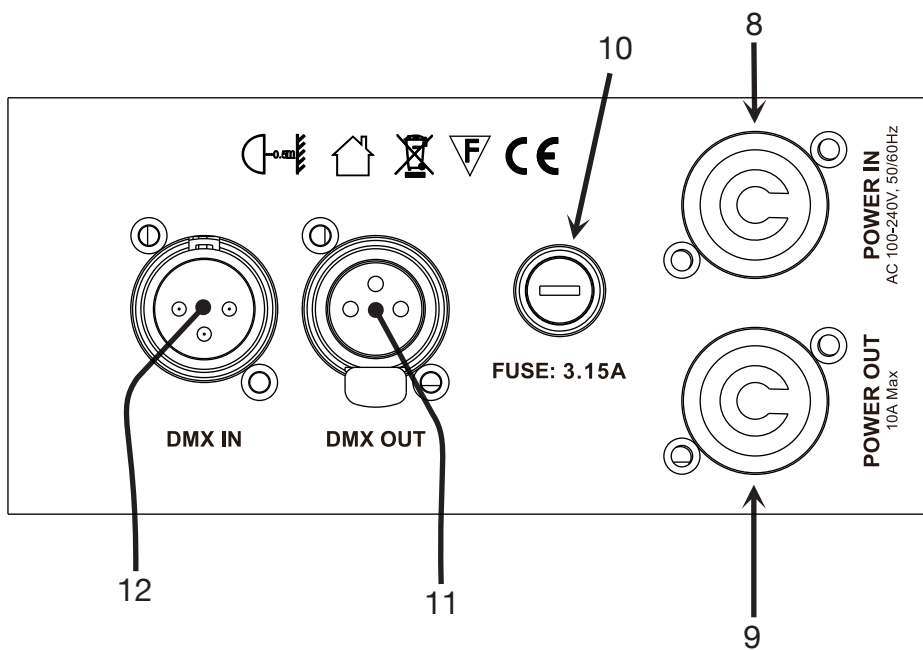
**CAUTION! DO NOT TOUCH LED BARS WHILE FIXTURE IS IN USE OR POWERED. HOT!**



- To reduce the risk of electrical shock or fire, do not expose this unit rain or moisture
- Do not spill water or other liquids into or on to your unit.
- Do not attempt to operate this unit if the power cord has been frayed or broken. Do not attempt to remove or break off the ground prong from the electrical cord. This prong is used to reduce the risk of electrical shock and fire in case of an internal short.
- Disconnect from main power before making any type of connection.
- Do not remove the cover under any conditions. There are no user serviceable parts inside.
- Never operate this unit when it's cover is removed.
- Never plug this unit in to a dimmer pack.
- Always be sure to mount this unit in an area that will allow proper ventilation. Allow about 6" (15cm) between this device and a wall.
- Do not attempt to operate this unit, if it becomes damaged.
- This unit is intended for indoor use only, use of this product outdoors voids all warranties.
- During long periods of non-use, disconnect the unit's main power.
- Always mount this unit in safe and stable matter.
- Power-supply cords should be routed so that they are not likely to be walked on or pinched by items placed upon or against them, paying particular attention to the point they exit from the unit.
- Cleaning -The fixture should be cleaned only as recommended by the manufacturer. See page 28 for cleaning details.
- Heat -The appliance should be situated away from heat sources such as radiators, heat registers, stoves, or other appliances (including amplifiers) that produce heat.
- The fixture should be serviced by qualified service personnel when:
  - A. The power-supply cord or the plug has been damaged.
  - B. Objects have fallen, or liquid has been spilled into the fixture.
  - C. The fixture has been exposed to rain or water.
  - D. The fixture does not appear to operate normally or exhibits a marked change in performance.
  - E. The fixture has fallen and/or subjected to extreme handling.



1. DMX Signal Indicator
2. LED Display
3. MENU Button
4. UP Button
5. DOWN Button
6. ENTER Button
7. Microphone



**OVERHEAD RIGGING**

The Starship is fully operational in three different mounting positions, hanging upside-down, mounted sideways on trussing, or set on a flat level surface. Be sure this fixture is kept at least 12m (40ft) away from any flammable materials (decoration etc.). Always use and install the supplied safety cable as a safety measure to prevent accidental damage and/or injury in the event the clamp fails (see next page). Never use the carrying handles for secondary attachment. When installing the unit, the trussing or area of installation must be able to hold 10 times the weight without any deformation. When installing the unit must be secured with a secondary safety attachment, e.g. and appropriate safety cable. Never stand directly below the unit when mounting, removing, or servicing the unit.

Overhead mounting requires extensive experience, including calculating working load limits, installation material being used, and periodic safety inspection of all installation material and unit. If you lack these qualifications, do not attempt the installation yourself.

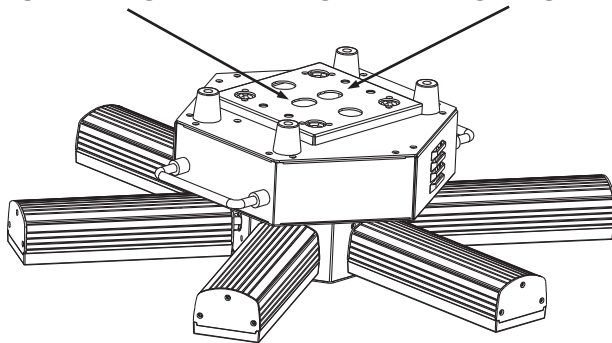
These installation should be checked by a skilled person once a year.

**CLAMP INSTALLATION**

Screw one clamp via a M12 screw and nut into the Omega holder. Insert the quick-lock fasteners of the Omega holder into the respective holes of the mounting plate. Tighten the quick-lock fasteners fully clockwise. Pull the safety-cable through the two rigging points located on the bottom of the unit and over the trussing system or a safe fixation spot. Insert the end in the carabine and tighten the safety screw.



SAFETY CABLE ATTACHMENT POINTS

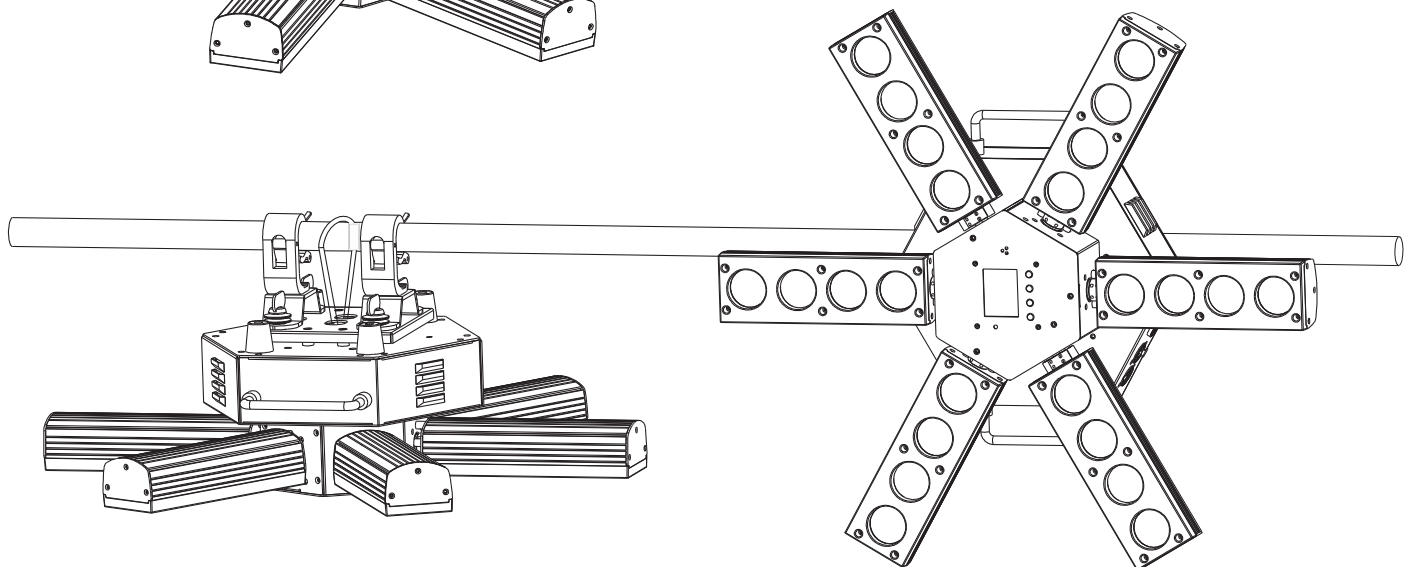
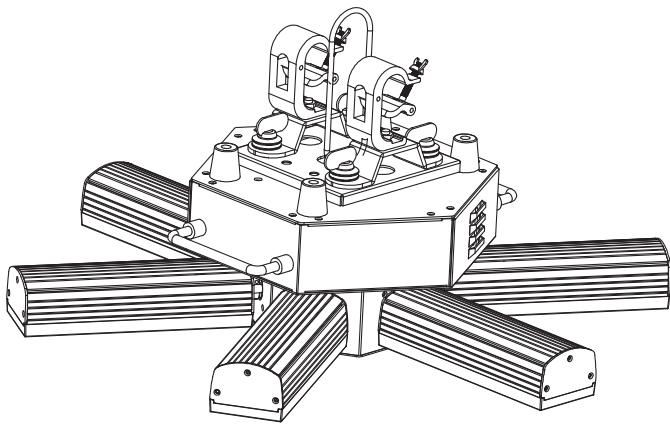
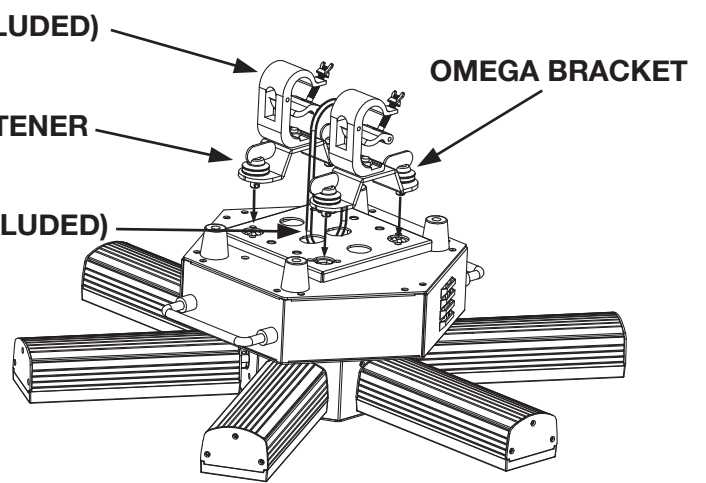


CLAMP (NOT INCLUDED)

QUICK-LOCK FASTENER

SAFETY CABLE (NOT INCLUDED)

OMEGA BRACKET



**DMX-512:** DMX is short for Digital Multiplex. This is a universal protocol used as a form of communication between intelligent fixtures and controllers. A DMX controller sends DMX data instructions from the controller to the fixture. DMX data is sent as serial data that travels from fixture to fixture via the DATA “IN” and DATA “OUT” XLR terminals located on all DMX fixtures (most controllers only have a DATA “OUT” terminal).

**DMX Linking:** DMX is a language allowing all makes and models of different manufactures to be linked together and operate from a single controller, as long as all fixtures and the controller are DMX compliant. To ensure proper DMX data transmission, when using several DMX fixtures try to use the shortest cable path possible. The order in which fixtures are connected in a DMX line does not influence the DMX addressing. For example; a fixture assigned a DMX address of 1 may be placed anywhere in a DMX line, at the beginning, at the end, or anywhere in the middle. When a fixture is assigned a DMX address of 1, the DMX controller knows to send DATA assigned to address 1 to that unit, no matter where it is located in the DMX chain.

**Data Cable (DMX Cable) Requirements (For DMX Operation):** The Starship can be controlled via DMX-512 protocol. The DMX address is set on the top panel of the unit. Your unit and your DMX controller require a standard 3-pin XLR connector for data input and data output (Figure 1). We recommend Accu-Cable DMX cables. If you are making your own cables, be sure to use standard 110-120 Ohm shielded cable (This cable may be purchased at almost all pro lighting stores). Your cables should be made with a male and female XLR connector on either end of the cable. Also remember that DMX cable must be daisy chained and cannot be split.



Figure 1

**Notice:** Be sure to follow figures two and three when making your own cables. Do not use the ground lug on the XLR connector. Do not connect the cable’s shield conductor to the ground lug or allow the shield conductor to come in contact with the XLR’s outer casing. Grounding the shield could cause a short circuit and erratic behavior.

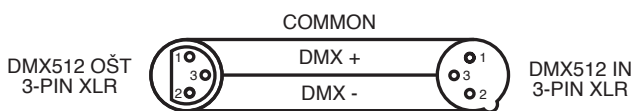


Figure 2

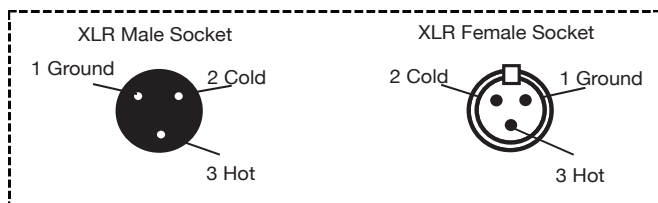
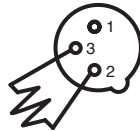


Figure 3

XLR Pin Configuration
Pin 1 = Ground
Pin 2 = Data Compliment (negative)
Pin 3 = Data True (positive)

**Special Note: Line Termination.** When longer runs of cable are used, you may need to use a terminator on the last unit to avoid erratic behavior. A terminator is a 110-120 ohm 1/4 watt resistor which is connected between pins 2 and 3 of a male XLR connector (DATA + and DATA -). This unit is inserted in the female XLR connector of the last unit in your daisy chain to terminate the line. Using a cable terminator (ADJ part number Z-DMX/T) will decrease the possibilities of erratic behavior.



Termination reduces signal errors and avoids signal transmission problems and interference. It is always advisable to connect a DMX terminal, (Resistance 120 Ohm ¼ W) between PIN 2 (DMX-) and PIN 3 (DMX +) of the last fixture.

Figure 4

**5-Pin XLR DMX Connectors.** Some manufactures use 5-pin DMX-512 data cables for DATA transmission in place of 3-pin. 5-pin DMX fixtures may be implemented in a 3-pin DMX line. When inserting standard 5-pin data cables in to a 3-pin line a cable adaptor must be used, these adaptors are readily available at most electric stores. The chart below details a proper cable conversion

3-Pin XLR to 5-Pin XLR Conversion		
Conductor	3-Pin XLR Female (Out)	5-Pin XLR Male (In)
Ground/Shield	Pin 1	Pin 1
Data Compliment (- signal)	Pin 2	Pin 2
Data True (+ signal)	Pin 3	Pin 3
Not Used		Do Not Use
Not Used		Do Not Use

**DMX ADDRESSING**

All fixtures should be given a DMX starting address when using a DMX controller, so the correct fixture responds to the correct control signal. This digital starting address is the channel number from which the fixture starts to “listen” to the digital control signal sent out from the DMX controller. The assignment of this starting DMX address is achieved by setting the correct DMX address on the digital control display on the fixture.

You can set the same starting address for all fixtures or a group of fixtures, or set different addresses for each individual fixture. Setting all fixtures to the same DMX address will cause all fixtures to react in the same way, in other words, changing the settings of one channel will affect all the fixtures simultaneously.

If you set each fixture to a different DMX address, each unit will start to “listen” to the channel number you have set, based on the quantity of DMX channels of each fixture. That means changing the settings of one channel will only affect the selected fixture.

In the case of the Starship, when in 22 Channel you should set the starting DMX address of the first unit to 1, the second unit to 23 ( $22 + 1$ ), the third unit to 45 ( $23 + 22$ ), and so on. (See the chart below for more details.)

ChannelMode	Unit 1 Address	Unit2 Address	Unit 3 Address	Unit 4 Address
22 Channels	1	23	45	67
120 Channels	1	121	241	361

22 Channels	120 Channels	Values	Functions
1	1	000-255	<b>TILT 1</b> 0-95°
	2	000-255	<b>TILT 1 FINE</b>
2	3	000-255	<b>TILT 2</b> 0-95°
	4	000-255	<b>TILT 2 FINE</b>
3	5	000-255	<b>TILT 3</b> 0-95°
	6	000-255	<b>TILT 3 FINE</b>
4	7	000-255	<b>TILT 4</b> 0-95°
	8	000-255	<b>TILT 4 FINE</b>
5	9	000-255	<b>TILT 5</b> 0-95°
	10	000-255	<b>TILT 5 FINE</b>
6	11	000-255	<b>TILT 6</b> 0-95°
	12	000-255	<b>TILT 6 FINE</b>
7		000-255	<b>RED ALL</b> 0%-100%
8		000-255	<b>GREEN ALL</b> 0%-100%
9		000-255	<b>BLUE ALL</b> 0%-100%
10		000-255	<b>WHITE ALL</b> 0%-100%
	13	000-255	<b>RED (ZONE 1)</b> 0%-100%
	14	000-255	<b>GREEN (ZONE 1)</b> 0%-100%
	15	000-255	<b>BLUE (ZONE 1)</b> 0%-100%
	16	000-255	<b>WHITE (ZONE 1)</b> 0%-100%
	17	000-255	<b>RED (ZONE 2)</b> 0%-100%
	18	000-255	<b>GREEN (ZONE 2)</b> 0%-100%
	19	000-255	<b>BLUE (ZONE 2)</b> 0%-100%
	20	000-255	<b>WHITE (ZONE 2)</b> 0%-100%
	21	000-255	<b>RED (ZONE 3)</b> 0%-100%
	22	000-255	<b>GREEN (ZONE 3)</b> 0%-100%
	23	000-255	<b>BLUE (ZONE 3)</b> 0%-100%
	24	000-255	<b>WHITE (ZONE 3)</b> 0%-100%
	25	000-255	<b>RED (ZONE 4)</b> 0%-100%
	26	000-255	<b>GREEN (ZONE 4)</b> 0%-100%
	27	000-255	<b>BLUE (ZONE 4)</b> 0%-100%
	28	000-255	<b>WHITE (ZONE 4)</b> 0%-100%
	29	000-255	<b>RED (ZONE 5)</b> 0%-100%
	30	000-255	<b>GREEN (ZONE 5)</b> 0%-100%
	31	000-255	<b>BLUE (ZONE 5)</b> 0%-100%
	32	000-255	<b>WHITE (ZONE 5)</b> 0%-100%

22 Channels	120 Channels	Values	Functions
	33	000-255	<b>RED (ZONE 6)</b> 0%-100%
	34	000-255	<b>GREEN (ZONE 6)</b> 0%-100%
	35	000-255	<b>BLUE (ZONE 6)</b> 0%-100%
	36	000-255	<b>WHITE (ZONE 6)</b> 0%-100%
	37	000-255	<b>RED (ZONE 7)</b> 0%-100%
	38	000-255	<b>GREEN (ZONE 7)</b> 0%-100%
	39	000-255	<b>BLUE (ZONE 7)</b> 0%-100%
	40	000-255	<b>WHITE (ZONE 7)</b> 0%-100%
	41	000-255	<b>RED (ZONE 8)</b> 0%-100%
	42	000-255	<b>GREEN (ZONE 8)</b> 0%-100%
	43	000-255	<b>BLUE (ZONE 8)</b> 0%-100%
	44	000-255	<b>WHITE (ZONE 8)</b> 0%-100%
	45	000-255	<b>RED (ZONE 9)</b> 0%-100%
	46	000-255	<b>GREEN (ZONE 9)</b> 0%-100%
	47	000-255	<b>BLUE (ZONE 9)</b> 0%-100%
	48	000-255	<b>WHITE (ZONE 9)</b> 0%-100%
	49	000-255	<b>RED (ZONE 10)</b> 0%-100%
	50	000-255	<b>GREEN (ZONE 10)</b> 0%-100%
	51	000-255	<b>BLUE (ZONE 10)</b> 0%-100%
	52	000-255	<b>WHITE (ZONE 10)</b> 0%-100%
	53	000-255	<b>RED (ZONE 11)</b> 0%-100%
	54	000-255	<b>GREEN (ZONE 11)</b> 0%-100%
	55	000-255	<b>BLUE (ZONE 11)</b> 0%-100%
	56	000-255	<b>WHITE (ZONE 11)</b> 0%-100%
	57	000-255	<b>RED (ZONE 12)</b> 0%-100%
	58	000-255	<b>GREEN (ZONE 12)</b> 0%-100%
	59	000-255	<b>BLUE (ZONE 12)</b> 0%-100%
	60	000-255	<b>WHITE (ZONE 12)</b> 0%-100%
	61	000-255	<b>RED (ZONE 13)</b> 0%-100%
	62	000-255	<b>GREEN (ZONE 13)</b> 0%-100%
	63	000-255	<b>BLUE (ZONE 13)</b> 0%-100%
	64	000-255	<b>WHITE (ZONE 13)</b> 0%-100%
	65	000-255	<b>RED (ZONE 14)</b> 0%-100%
	66	000-255	<b>GREEN (ZONE 14)</b> 0%-100%
	67	000-255	<b>BLUE (ZONE 14)</b> 0%-100%
	68	000-255	<b>WHITE (ZONE 14)</b> 0%-100%
	69	000-255	<b>RED (ZONE 15)</b> 0%-100%
	70	000-255	<b>GREEN (ZONE 15)</b> 0%-100%
	71	000-255	<b>BLUE (ZONE 15)</b> 0%-100%
	72	000-255	<b>WHITE (ZONE 15)</b> 0%-100%
	73	000-255	<b>RED (ZONE 16)</b> 0%-100%
	74	000-255	<b>GREEN (ZONE 16)</b> 0%-100%
	75	000-255	<b>BLUE (ZONE 16)</b> 0%-100%
	76	000-255	<b>WHITE (ZONE 16)</b> 0%-100%

22 Channels	120 Channels	Values	
	77	000-255	<b>RED (ZONE 17)</b> 0%-100%
	78	000-255	<b>GREEN (ZONE 17)</b> 0%-100%
	79	000-255	<b>BLUE (ZONE 17)</b> 0%-100%
	80	000-255	<b>WHITE (ZONE 17)</b> 0%-100%
	81	000-255	<b>RED (ZONE 18)</b> 0%-100%
	82	000-255	<b>GREEN (ZONE 18)</b> 0%-100%
	83	000-255	<b>BLUE (ZONE 18)</b> 0%-100%
	84	000-255	<b>WHITE (ZONE 18)</b> 0%-100%
	85	000-255	<b>RED (ZONE 19)</b> 0%-100%
	86	000-255	<b>GREEN (ZONE 19)</b> 0%-100%
	87	000-255	<b>BLUE (ZONE 19)</b> 0%-100%
	88	000-255	<b>WHITE (ZONE 19)</b> 0%-100%
	89	000-255	<b>RED (ZONE 20)</b> 0%-100%
	90	000-255	<b>GREEN (ZONE 20)</b> 0%-100%
	91	000-255	<b>BLUE (ZONE 20)</b> 0%-100%
	92	000-255	<b>WHITE (ZONE 20)</b> 0%-100%
	93	000-255	<b>RED (ZONE 21)</b> 0%-100%
	94	000-255	<b>GREEN (ZONE 21)</b> 0%-100%
	95	000-255	<b>BLUE (ZONE 21)</b> 0%-100%
	96	000-255	<b>WHITE (ZONE 21)</b> 0%-100%
	97	000-255	<b>RED (ZONE 22)</b> 0%-100%
	98	000-255	<b>GREEN (ZONE 22)</b> 0%-100%
	99	000-255	<b>BLUE (ZONE 22)</b> 0%-100%
	100	000-255	<b>WHITE (ZONE 22)</b> 0%-100%
	101	000-255	<b>RED (ZONE 23)</b> 0%-100%
	102	000-255	<b>GREEN (ZONE 23)</b> 0%-100%
	103	000-255	<b>BLUE (ZONE 23)</b> 0%-100%
	104	000-255	<b>WHITE (ZONE 23)</b> 0%-100%
	105	000-255	<b>RED (ZONE 24)</b> 0%-100%
	106	000-255	<b>GREEN (ZONE 24)</b> 0%-100%
	107	000-255	<b>BLUE (ZONE 24)</b> 0%-100%
	108	000-255	<b>WHITE (ZONE 24)</b> 0%-100%
11	109		<b>COLOR MACROS</b>
		000-007	No Function
		008-039	Red - Yellow
		040-071	Yellow - Green
		072-103	Green - Cyan
		104-135	Cyan - Blue
		136-167	Blue - Purple
		168-189	Purple - Red
		190-231	Red - Red & White
		232-255	Color Change Fast - Slow

22 Channels	120 Channels	Values	
12	110		<b>CTO MACROS<sup>(1)</sup></b>
		000-007	No Function
		008-013	CTO2400K
		014-019	CTO2800K
		020-025	CTO3200K
		026-031	CTO3600K
		032-037	CTO4000K
		038-043	CTO4400K
		044-049	CTO4800K
		050-055	CTO5200K
		056-061	CTO5600K
		062-067	CTO6000K
		068-073	CTO6400K
		074-079	CTO6800K
		080-085	CTO7200K
		086-091	CTO7600K
		092-103	CTO8000K
		104-111	Color Mix 1
		112-119	Color Mix 2
		120-127	Color Mix 3
		128-135	Color Mix 4
		136-143	Color Mix 5
		144-151	Color Mix 6
		152-159	Color Mix 7
		160-167	Color Mix 8
		168-175	Color Mix 9
		176-183	Color Mix 10
		184-191	Color Mix 11
192-199	Color Mix 12		
200-207	Color Mix 13		
208-215	Color Mix 14		
216-223	Color Mix 15		
224-231	Color Mix 16		
232-239	Color Mix 17		
240-247	Color Mix 18		
248-255	Color Mix 19		
13	111	000-255	<b>BOTTOM COLOR DIMMER</b> 0% - 100%
14	112		<b>BOTTOM COLOR MACRO<sup>(2)</sup></b>
		000-031	No Function Red -
		032-063	Yellow Yellow -
		064-095	Green Green - Cyan
		096-127	Cyan - Blue Blue -
		128-159	Purple Purple - Red
		160-191	Red - Red & White
		192-223	
224-255			
15	113		<b>STROBE &amp; SHUTTER</b>
		000-031	Shutter Closed
		032-063	Shutter Open
		064-095	Strobe Effect Slow - Fast
		096-127	Shutter Open Pulse Effect
		128-159	in Sequences Shutter Open
		160-191	Random Strobe Slow - Fast
		192-223	Shutter Open
224-255			



22 Channels	120 Channels	Values	Functions
16	114	000-255	<b>MASTER DIMMER</b> 0% - 100%
17	115	000-255	<b>MASTER DIMMER FINE</b> 0% - 100%
18	116		<b>DIMMER MODES</b>
		000-020	Standard Stage
		021-040	TV
		041-060	Architectural
		061-080	Theatre Stage 2
		081-100	<b>DIMMER DELAY TIME</b>
		101-120	0.1Sec.
			0.2Sec.
		121	0.3Sec.
		122	0.4Sec.
		123	0.5Sec.
		124	0.6Sec.
		125	0.7Sec.
		126	0.8Sec.
		127	0.9Sec.
		128	1.0Sec.
		129	1.5Sec.
		130	2.0Sec.
		131	3.0Sec.
		132	4.0Sec.
		133	5.0Sec.
		134	6.0Sec.
		135	7.0Sec.
136	8.0Sec. 9.0Sec. 10Sec.		
137	Default to Unit Setting		
138			
139			
140			
		000-255	

22 Channels	120 Channels	Values	Functions
19	117		<b>SHAPE MODE</b>
		000-007	No Function Static
		008-012	Scene 1 Static
		013-017	Scene 2 Static
		018-022	Scene 3 Static
		023-027	Scene 4 Static
		028-032	Scene 5 Static
		033-037	Scene 6 Static
		038-042	Scene 7 Static
		043-047	Scene 8 Static
		048-052	Scene 9 Static
		053-057	Scene 10 Static
		058-062	Scene 11 Static
		063-067	Scene 12 Static
		068-072	Scene 13 Static
		073-077	Scene 14 Static
		078-082	Scene 15 Static
		083-087	Scene 16 Static
		088-092	Scene 17 Static
		093-097	Scene 18 Static
		098-102	Scene 19 Static
		103-107	Scene 20 Static
		108-112	Scene 21 Static
		113-117	Scene 22 Static
		118-122	Scene 23 Static
		123-127	Scene 24 Static
		128-132	Scene 25 Dynamic
		133-138	Scene 1 Dynamic
		139-144	Scene 2 Dynamic
		145-150	Scene 3 Dynamic
		151-156	Scene 4 Dynamic
		157-162	Scene 5 Dynamic
		163-168	Scene 6 Dynamic
169-174	Scene 7 Dynamic		
175-180	Scene 8 Dynamic		
181-186	Scene 9 Dynamic		
187-192	Scene 10 Dynamic		
193-198	Scene 11 Dynamic		
199-204	Scene 12 Dynamic		
205-210	Scene 13 Dynamic		
211-216	Scene 14 Dynamic		
217-222	Scene 15 Dynamic		
223-228	Scene 16 Dynamic		
229-234	Scene 17 Dynamic		
235-240	Scene 18 Dynamic		
241-246	Scene 19 Dynamic		
247-252	Scene 20 Dynamic		
253-255	Scene 21		

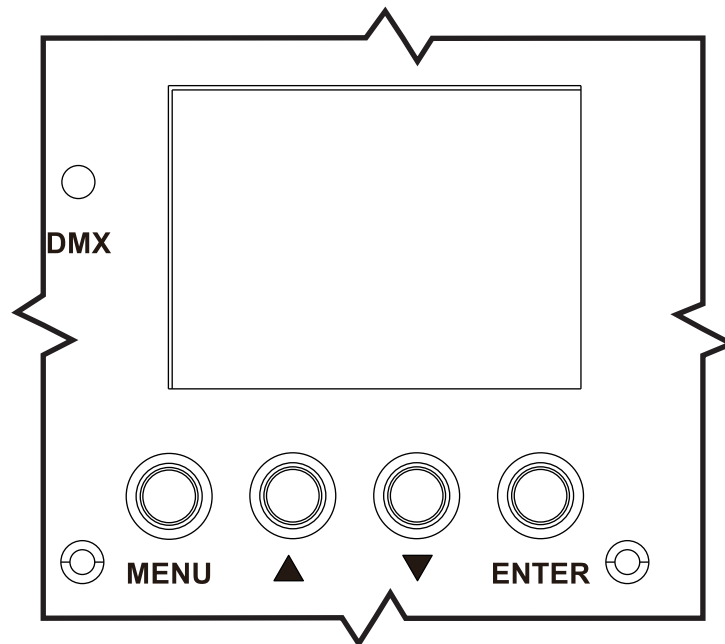
22 Channels	120 Channels	Values	
20	118	000-127 128-255	<b>DYNAMIC SCENE SPEED &amp; DIRECTION</b> Clockwise Slow - Fast Counter- Clockwise Slow - Fast
21	119	000-255	<b>TILT SPEED</b> Fast - Slow
22	120		<b>SPECIAL FUNCTIONS</b>
		000-195	No Function
		196-200	Reset Auto
		201-207	Program 1 Auto
		208-214	Program 2 Auto
		215-220	Program 3 Sound
		221-249	Active No Function
	250-255		

**NOTES:**

1. Channel 12 “CTO Macros” Channel works with Channel 19 “Shape Mode”.
2. Channel 14 “Bottom Color Macro” works with Channel 12 “CTO Macros” and Channel 19 “Shape Mode”.

## SYSTEM MENU

The fixture includes an easy to navigate system menu control panel display where all necessary settings and adjustments are made. (See image below) During normal operation, pressing the **MENU** button once will access the fixture's main menu. Once in the main menu, you can navigate through the different functions and access the sub-menus with the **UP** and **DOWN** buttons. When you reach a field that requires adjusting, press the **ENTER** button to access that field and use the **UP** and **DOWN** buttons to adjust the field. Pressing the **ENTER** button once more will confirm your setting. You may exit the main menu at any time without making any adjustments by pressing the **MENU** button.



MENU	SUBMENU	OPTIONS	DESCRIPTION	
DMX Settings	DMX Address	001~XXX	DMX Addressing	
	DMX CH Mode	22Ch / 120Ch	DMX Channel Mode Selection	
	No DMX Status	Hold Last / Auto / Sound / Blackout / Manual	DMX Lost Status	
Personality	Primary	On / Off		
	Secondary	On / Off		
	Status Settings	Invert Tilt 1: On / Off		Reverse Tilt 1 Motion
		Invert Tilt 2: On / Off		Reverse Tilt 2 Motion
		Invert Tilt 3: On / Off		Reverse Tilt 3 Motion
		Invert Tilt 4: On / Off		Reverse Tilt 4 Motion
		Invert Tilt 5: On / Off		Reverse Tilt 5 Motion
		Invert Tilt 6: On / Off		Reverse Tilt 6 Motion
	Dim Modes	Tilt Speed: Speed 1~4		Tilt Movement Speed
		Standard / Stage / TV / Architectural / Theatre / Stage2		Dimmer Curve Modes
	LED Refresh Rate	Dim Speed 0.1-10S		Dimming Speed
		900~1500 / 2500 / 4000 / 5000 / 6000 / 10KHz / 15KHz / 20KHz / 25KHz		LED Refresh Rate
	Gamma	1.0 / 2.0 / 2.2 / 2.4 / 2.6 / 2.8		Gamma Brightness
	Reset All Motors	Yes / No		Reset All Motors
	Display	Intensity: 1~10 (Dimmest-Brightest)		Display Backlight Brightness
		Display Invert: Yes / No		Display Readout Inversion
Screen Saver Delay: Off~10Mins			Display Blackout	
Display Lock: On / Off			Display Control Lock	
Service (Pass Code = 50)	Calibration		Calibration	
	Factory Restore: Yes / No - Pass Code = 011		Restore Factory Settings	
Manual Control	Tilt 1-6	000-255	Manual Control	
	Red All	000-255		
	Green All	000-255		
	Blue All	000-255		
	White All	000-255		
	Red 1-24	000-255		
	Green 1-24	000-255		
	Blue 1-24	000-255		
	White 1-24	000-255		
	Color Macros	000-255		
	CTO Macros	000-255		
	Back ClrD	000-255		
	Back ClrM	000-255		
	Strobe	000-255		
	Dimmer	000-255		
	Dimmer Fine	000-255		
	Dimmer Mode	000-255		
	Shape Mode	000-255		
	Shape Speed	000-255		
	Tilt Speed	000-255		
Ctrl Function	000-255			

MENU	SUBMENU	OPTIONS	DESCRIPTION
Auto	Sound Active	On / Off	Sound Active Mode
	Sound Sense	0-100 (Least Sensitive-Most Sensitive)	Sound Sensitivity Setting
	Secondary Mode	Secondary1 / Secondary2 / Secondary3	Secondary Setting
Information	Fixture Life Time	Power On Time: XXXXXX Hours	Total Running Time (Not Resettable)
		P-On Time-R: XXXXXX Hours	Total Running Time (Resettable)
		P-On Time Reset: <b>Pass Code = 050</b>	Reset Total Running Time
	Total LED Time	LED On Time: XXXXXX Hours	Total LED On Running Time (Not Resettable)
		LED On Time-R: XXXXXX Hours	LED On Running Time (Resettable)
		LED On Time Reset: <b>Pass Code = 050</b>	Reset LED Running Time
	DMX Values <sup>(1)</sup> (See Note 1)	Tilt 1-6 / Tilt Fine 1-6 / Red 1-24 / Green 1-24 / Blue 1-24 / White 1-24 / Color Macros / CTO Macros / BackClrD / BackClrM / Strobe / Dimmer / Dimmer Fine / Shape Mode / Shape Speed / Tilt Speed / Ctrl Function	Current DMX Values
	Software Version	X.XX	Current Software Version

Notes:

(1) DMX Value options depend on the DMX Channel mode setting.

**DMX SETTINGS** - The submenus listed under **DMX SETTINGS** are as follows: **DMX Address**, **DMX Channel Mode**, and **No DMX Status**.

**DMX ADDRESS** - In this submenu you can find and set your desired DMX address.

**DMX CHANNEL MODE** - In this submenu you can find and set your desired DMX channel mode.

**NO DMX STATUS** - This submenu setting is used as a precaution mode in case the DMX signal is lost or interrupted. The operating mode chosen in this submenu is the running mode the fixture will go into when the DMX signal is lost. Listed below are the 3 modes.

- **Hold Last** - This setting will have the fixture stay in the last DMX setup.
- **Auto** - This setting will have the fixture go into auto mode.
- **Sound** - This setting will have the fixture go into sound active mode.
- **Blackout** - This setting will have the fixture go into stand by mode.
- **Manual** - This setting will have the fixture go into the current manual set up. See **MANUAL CONTROL**.

**PERSONALITY** - The submenus listed under **PERSONALITY** are as follows: **Primary**, **Secondary**, **Status Settings**, **Dim Modes**, **LED Refresh Rate**, **Gamma**, **Reset All Motors**, **Display**, and **Service**.

- **PRIMARY/SECONDARY** - In these two submenus you are able to set the unit as a “Primary” or “Secondary” in a Primary-Secondary configuration. **NOTE: The “Primary” setting must also be activated in a Stand Alone setup.**
- **STATUS SETTINGS** - In this submenu you are able to access and adjust/change: Tilt Invert and Tilt Speed.
- **DIM MODES** - In this submenu you are able to select your desired dimmer mode and adjust the dimming speed time.
- **LED REFRESH RATE** - In this submenu you are able to select your desired LED refresh rate.
- **GAMMA** - In this submenu you are able to select your desired gamma setting.
- **RESET ALL MOTORS** - In this submenu you are able to reset all motors.
- **DISPLAY** - In this submenu you are able to adjust the display intensity, display invert, activate the display blackout (Screen Saver Display), and activate/deactivate the display lock.
- **SERVICE** - In this submenu you are able to access: calibration adjustments (effect adjust) and restore the factory settings.

**MANUAL CONTROL** - This menu is for manual testing and manual control. See “**MANUAL CONTROL**” in the system menu on page 19 for the various adjustments.

**NOTE: NO DMX STATUS must be set to “Manual” when using Manual Control.**

**AUTO** This menu allows you to run an Auto Program mode. This Auto Program can also be run as sound activate with adjustable sound sensitivity.

**INFORMATION** The submenus listed under **INFORMATION** are as follows: *Fixture Life Time*, *Total LED Time*, *DMX Values*, and *Software Version*.

- **FIXTURE LIFE TIME**
- **Power On Time** -The **TOTAL** power ON running time of the unit is displayed. This time **CANNOT** be reset.
- **P-On Time-R** - The **CURRENT** power ON running time of the unit is displayed. This running time may not be the same as the total power ON running time displayed under “**Power On Time**”. This time **CAN** be reset. **NOTE: The displayed time represents the current power ON time since the last reset.**
- **P-On Time Reset** - Reset the **CURRENT** power ON running time that is displayed under “**P-On Time-R**”.
- **TOTAL LED TIME**
- **LED On Time** - The **TOTAL** LED ON time is displayed. This total LED ON time **CANNOT** be reset. **NOTE: The displayed time represents the TOTAL LED ON time.**
- **LED On Time-R** - The **CURRENT** LED ON running time is displayed. This running time may not be the same as the total LED ON time displayed under “**LED On Time**”. This total LED ON time **CAN** be reset. **NOTE: The displayed time represents the CURRENT LED ON time since the last reset.**
- **LED On Time Reset** - With this function you can reset the **CURRENT** LED ON time that is displayed under “**LED On Time-R**”.
- **DMX VALUES** - Displays the DMX values of any DMX channel that is currently in use.

**NOTE: DMX value options depend on the current DMX channel mode setting.**

**SOFTWARE VERSION** - Current software version is displayed.



**AUTO MODE/SOUND ACTIVE:**

This function will allow the unit to run its auto program. The auto program can be run normally or in a sound active state with adjustable sound sensitivity.

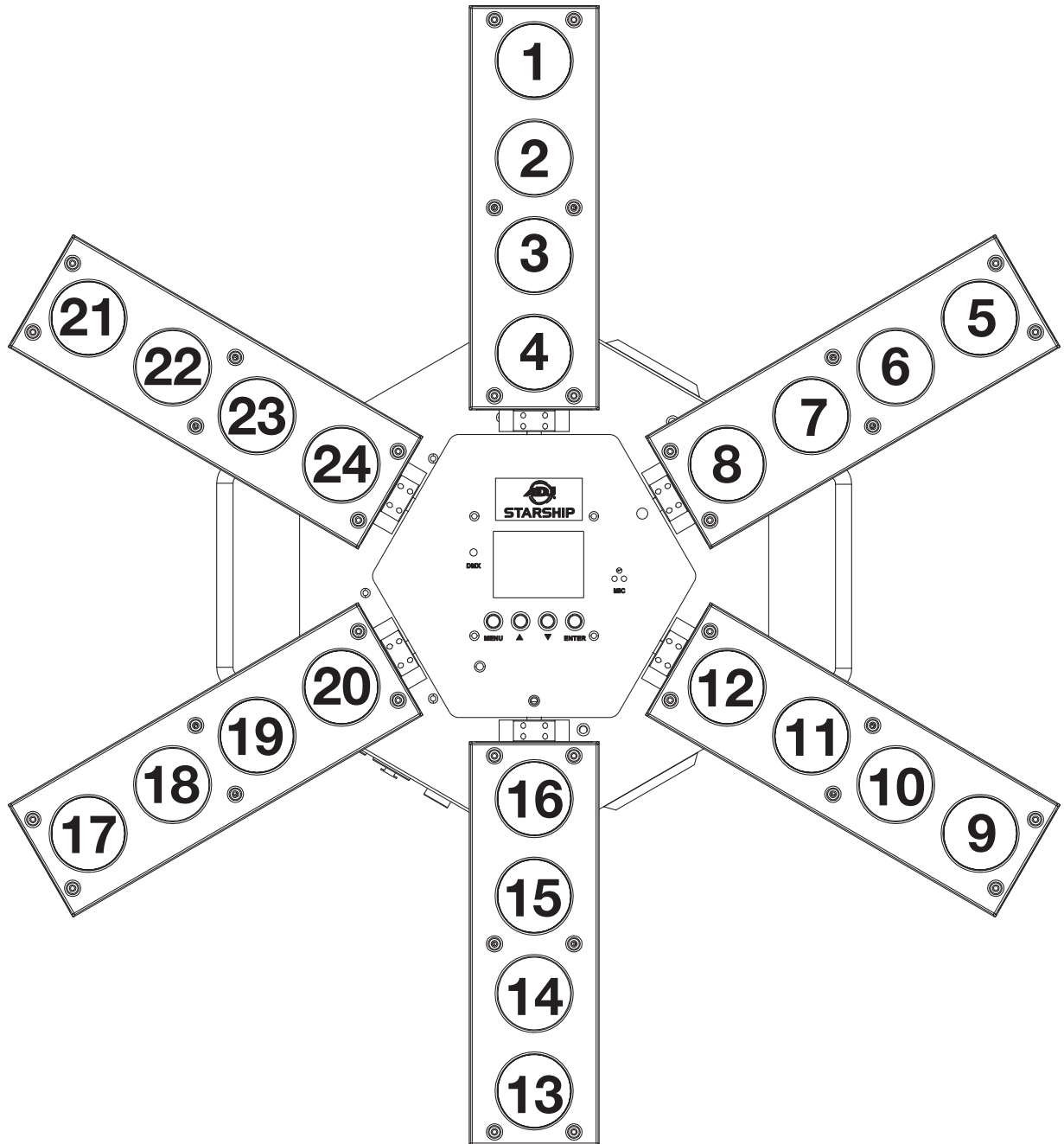
1. Press the **MENU** button to enter the main system menu. Press the **UP** or **DOWN** buttons so that **“DMX Settings”** is highlighted and press **ENTER**.
2. Press the **UP** or **DOWN** buttons so that **“No DMX Status”** is highlighted and press **ENTER**. Press the **UP** or **DOWN** buttons so that **“AUTO”** is highlighted and press **ENTER**.
3. Press the **MENU** button to exit to the main system menu. Press the **UP** or **DOWN** buttons so that **“Personality”** is highlighted and press **ENTER**. Highlight **“Primary”** and press **ENTER**. Select **“ON”** and press **ENTER**. **NOTE: Make sure that the “Secondary” Mode is “OFF”.**
4. Press the **MENU** button to exit to the main system menu. Press the **UP** or **DOWN** buttons so that **“AUTO”** is highlighted and press **ENTER**.
5. When entering the the **AUTO** menu, you have the choice of running the **AUTO** mode as sound active and adjusting the sound sensitivity. **“000”** being the least sound sensitive, and **“100”** being the most sound sensitive.
6. Make your desired adjustments and press the **MENU** button to exit to the main system menu. Press the **MENU** button again so that the DMX address is displayed.

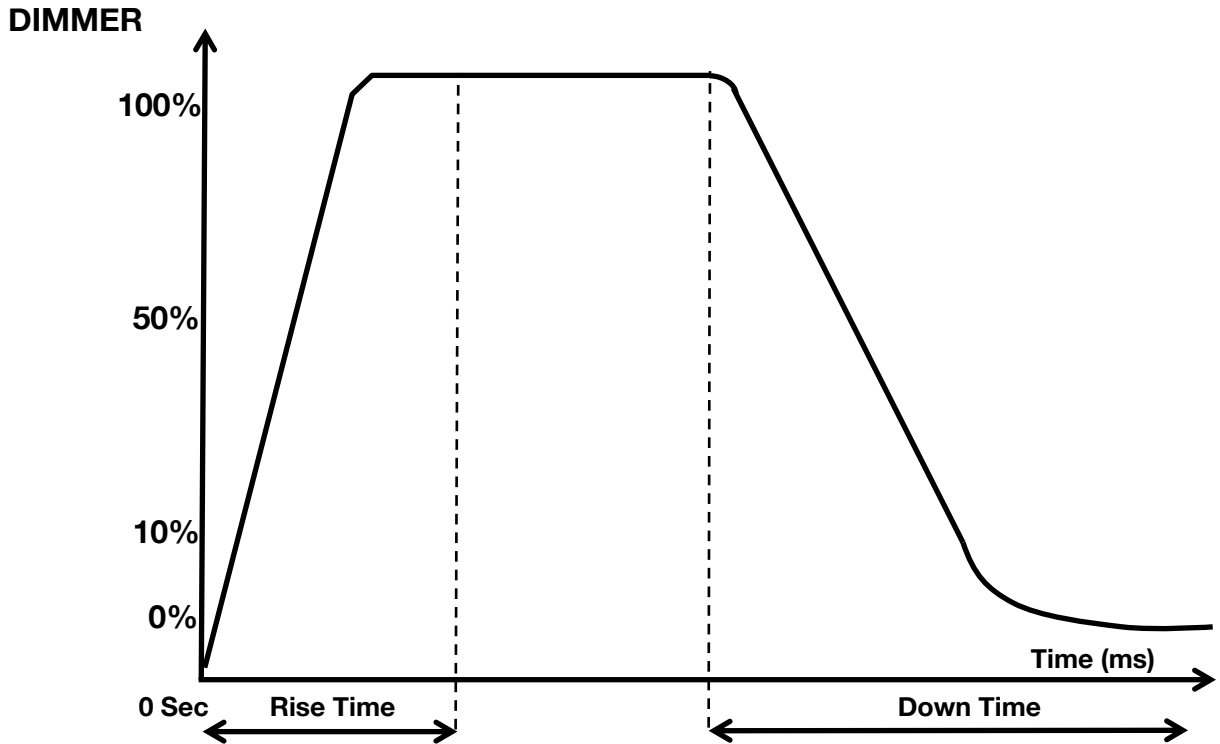
**Primary-Secondary Configuration:**

This function will allow you to link units together to run in a Primary-Secondary mode. In Primary-Secondary operation one unit will act as the controlling unit and the others will react to the controlling units built-in programs. Any unit can act as a Primary or as a Secondary; however, only one unit can be programmed to act as the “Primary.”

**Primary-Secondary Connections and Settings:**

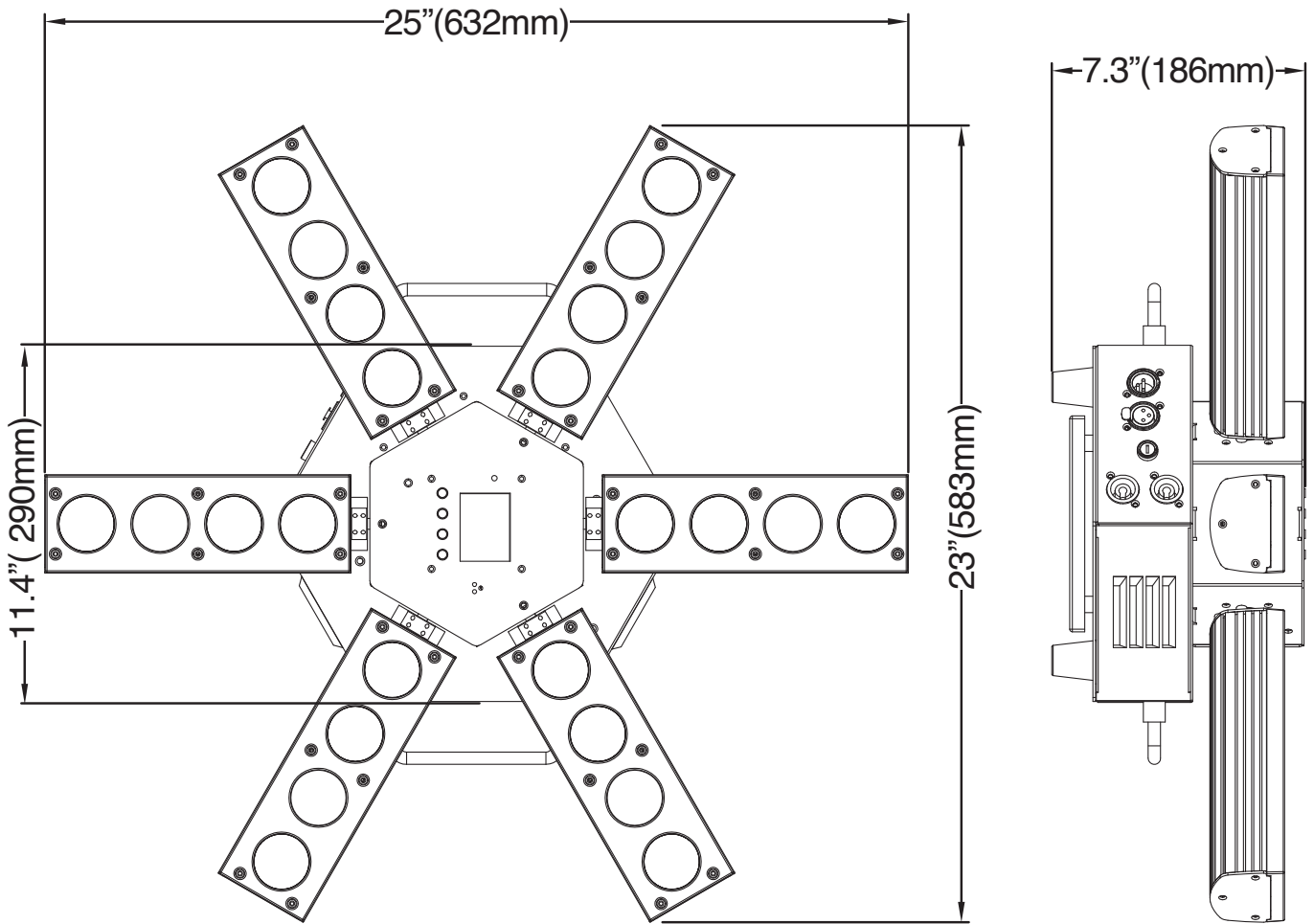
1. Daisy chain your units via the XLR connector on the rear of the unit. Use standard XLR data cables to link your units together. Remember that the male XLR connector is the input and the female XLR connector is the output. The first unit in the chain (primary) will use the female XLR connector only. The last unit in the chain will use the male XLR connector only.
2. Set the **“Primary”** unit to your desired operating mode.
3. Press the **MENU** button to enter the main system menu. Press the **UP** or **DOWN** buttons so that **“Personality”** is highlighted and press **ENTER**.
4. Press the **UP** or **DOWN** buttons so that **“Primary”** is highlighted and press **ENTER**. Highlight **“ON”** and press **ENTER**, then press the **MENU** button to exit.
5. For the **“Secondary”** unit(s) press the **MENU** button to enter the main system menu. Press the **UP** or **DOWN** buttons so that **“Personality”** is highlighted and press **ENTER**.
6. Press the **UP** or **DOWN** buttons so that **“Secondary”** is highlighted and press **ENTER**. Highlight **“ON”** and press **ENTER**, then press the **MENU** button to exit. The **“Secondary”** unit(s) will now follow the **“Primary”** unit.





Dimming Curve Ramp Effect	0 sec Fade Time		1 sec Fade Time	
	Rise Time (ms)	Down Time (ms)	Rise Time (ms)	Down Time (ms)
Standard (default)	0	0	0	0
Stage	780	1100	1540	1660
TV	1180	1520	1860	1940
Architectural	1380	1730	2040	2120
Theatre	1580	1940	2230	2280
Stage 2	0	1100	0	1660

**\*NOT TO SCALE**



With this feature you can connect the fixtures to one another using the power cable input and output sockets.

**NOTE: USE CAUTION WHEN POWER LINKING OTHER FIXTURES AS THE POWER CONSUMPTION OF OTHER MODEL FIXTURES MAY EXCEED THE MAX POWER OUTPUT ON THIS FIXTURE! CHECK SILK SCREEN FOR MAX AMPS.**

Disconnect the unit from its power source. Remove the power cord from the unit. Use a phillips head screwdriver to remove the fuse holder. Remove the fuse located inside the fuse holder and replace with the new fuse. Install the fuse holder and new fuse and secure it.

Listed below are a few common problems the user may encounter, with solutions.

***Unit not responding to DMX:***

1. Check that the DMX cables are connected properly and are wired correctly (pin 3 is “hot”; on some other DMX devices pin 2 may be ‘hot’). Also, check that all cables are connected to the right connectors; it does matter which way the inputs and outputs are connected.

***Unit does not respond to sound:***

1. Quiet or high pitched sounds will not activate the unit.
2. Make sure that Sound Active mode is activated.

Due to fog residue, smoke, and dust cleaning the internal and external optical lenses must be carried out periodically to optimize light output.

1. Use normal glass cleaner and a soft cloth to wipe down the outside casing.
2. Clean the external optics with glass cleaner and a soft cloth every 20 days.
3. Always be sure to dry all parts completely before plugging the unit back in.

Cleaning frequency depends on the environment in which the fixture operates (i.e. smoke, fog residue, dust, dew).

## MANUFACTURER'S LIMITED WARRANTY

- A. ADJ Products, LLC hereby warrants, to the original purchaser, ADJ Products, LLC products to be free of manufacturing defects in material and workmanship for a prescribed period from the date of purchase (see specific warranty period on reverse). This warranty shall be valid only if the product is purchased within the United States of America, including possessions and territories. It is the owner's responsibility to establish the date and place of purchase by acceptable evidence, at the time service is sought.
- B. For warranty service you must obtain a Return Authorization number (RA #) before sending back the product—please contact ADJ Products, LLC Service Department at 800-322-6337. Send the product only to the ADJ Products, LLC factory. All shipping charges must be pre-paid. If the requested repairs or service (including parts replacement) are within the terms of this warranty, ADJ Products, LLC will pay return shipping charges only to a designated point within the United States. If the entire instrument is sent, it must be shipped in its original package. No accessories should be shipped with the product. If any accessories are shipped with the product, ADJ Products, LLC shall have no liability whatsoever for loss of or damage to any such accessories, nor for the safe return thereof.
- C. This warranty is void if the serial number has been altered or removed; if the product is modified in any manner which ADJ Products, LLC concludes, after inspection, affects the reliability of the product; if the product has been repaired or serviced by anyone other than the ADJ Products, LLC factory unless prior written authorization was issued to purchaser by ADJ Products, LLC; if the product is damaged because not properly maintained as set forth in the instruction manual.
- D. This is not a service contract, and this warranty does not include maintenance, cleaning or periodic check up. During the period specified above, ADJ Products, LLC will replace defective parts at its expense with new or refurbished parts, and will absorb all expenses for warranty service and repair labor by reason of defects in material or workmanship. The sole responsibility of ADJ Products, LLC under this warranty shall be limited to the repair of the product, or replacement thereof, including parts, at the sole discretion of ADJ Products, LLC. All products covered by this warranty were manufactured after August 15, 2012, and bear identifying marks to that effect.
- E. ADJ Products, LLC reserves the right to make changes in design and/or improvements upon its products without any obligation to include these changes in any products theretofore manufactured.

No warranty, whether expressed or implied, is given or made with respect to any accessory supplied with products described above. Except to the extent prohibited by applicable law, all implied warranties made by ADJ Products, LLC in connection with this product, including warranties of merchantability or fitness, are limited in duration to the warranty period set forth above. And no warranties, whether expressed or implied, including warranties of merchantability or fitness, shall apply to this product after said period has expired. The consumer's and/or Dealer's sole remedy shall be such repair or replacement as is expressly provided above; and under no circumstances shall ADJ Products, LLC be liable for any loss or damage, direct or consequential, arising out of the use of, or inability to use, this product.

This warranty is the only written warranty applicable to ADJ Products, LLC Products and supersedes all prior warranties and written descriptions of warranty terms and conditions heretofore published.

## MANUFACTURER'S LIMITED WARRANTY PERIODS:

- Non L.E.D. Lighting Products = 1-year (365 days) Limited Warranty (Such as: Special Effect Lighting, Intelligent Lighting, UV lighting, Strobos, Fog Machines, Bubble Machines, Mirror Balls, Par Cans, Trussing, Lighting Stands etc. excluding LED and lamps).
- Laser Products = 1 Year (365 Days) Limited Warranty (excluding laser diodes which have a 6 month limited warranty).
- L.E.D. Products = 2-year (730 days) Limited Warranty (excluding batteries which have a 180 day limited warranty). Note: 2 Year Warranty only applies to purchases within the United States.
- StarTec Series = 1 Year Limited Warranty (excluding batteries which have a 180 day limited warranty).
- ADJ DMX Controllers = 2 Year (730 Days) Limited Warranty.

**OPTICAL:**

Light Source: 24x 15 Watt Quad LED (RGBW: 4-IN-1)

**CONNECTIONS:**

3-pin In/Out connectors for DMX linking

Locking Power AC IN/OUT to daisy chain power (up to 5 fixtures at 120V, 9 fixtures at 230V)

**CONTROL:**

Arms Tilt: 0-95-degrees

2 DMX Channel modes: 22 or 120 channels

Built-in color macros

4-button digital DMX function display

Strobe effect

Stand Alone or Primary/Secondary Set Up

**FEATURES:**

Flicker Free operation (No flickering on camera)

Includes: 2 Omega Brackets, built-in rubber feet & carry handle

Run all night – No duty cycle

**ELECTRICAL**

Auto sensing power supply: AC 100V/60Hz - 240V/50Hz

Power Draw: 210W max

Daisy chain up to 5 fixtures at 120V, 9 fixtures at 230V

**DIMENSIONS / WEIGHT:**

Dimensions (LxWxH): 25" x 23" x 7.3" / 632x583x186mm

Weight: 26.5 lbs. / 12 kg.

**Please Note:** Specifications, design improvements, and documentation are subject to change without notice.

